



WWII MANUAL



M38-70070

www.sluban.eu



EN71

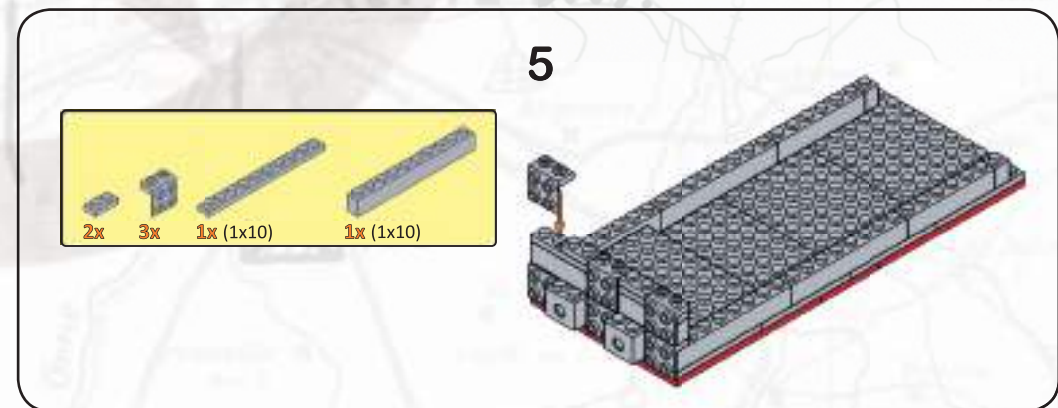
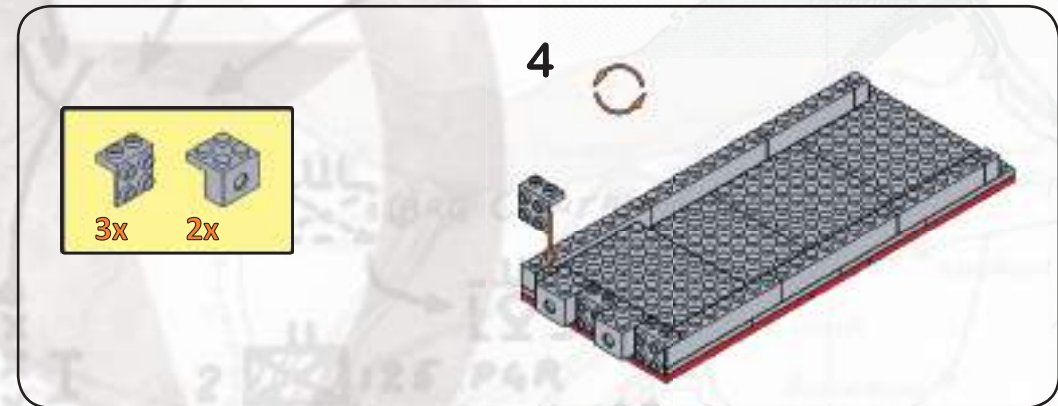
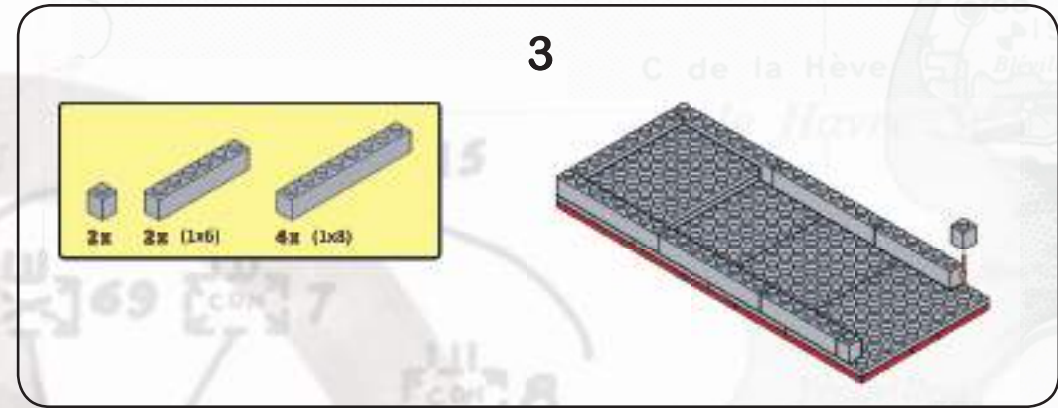
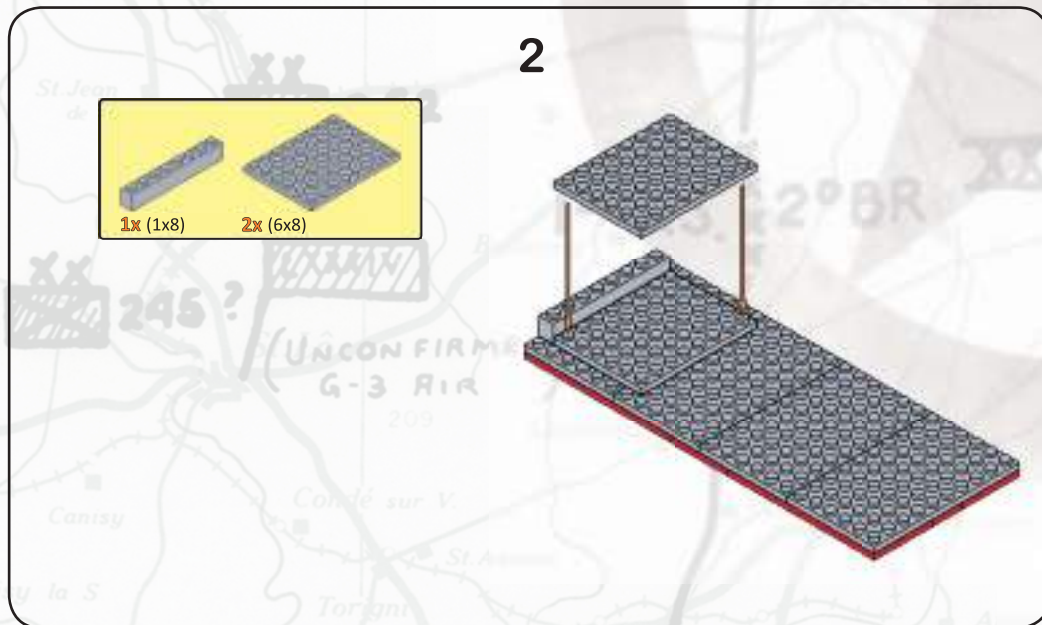
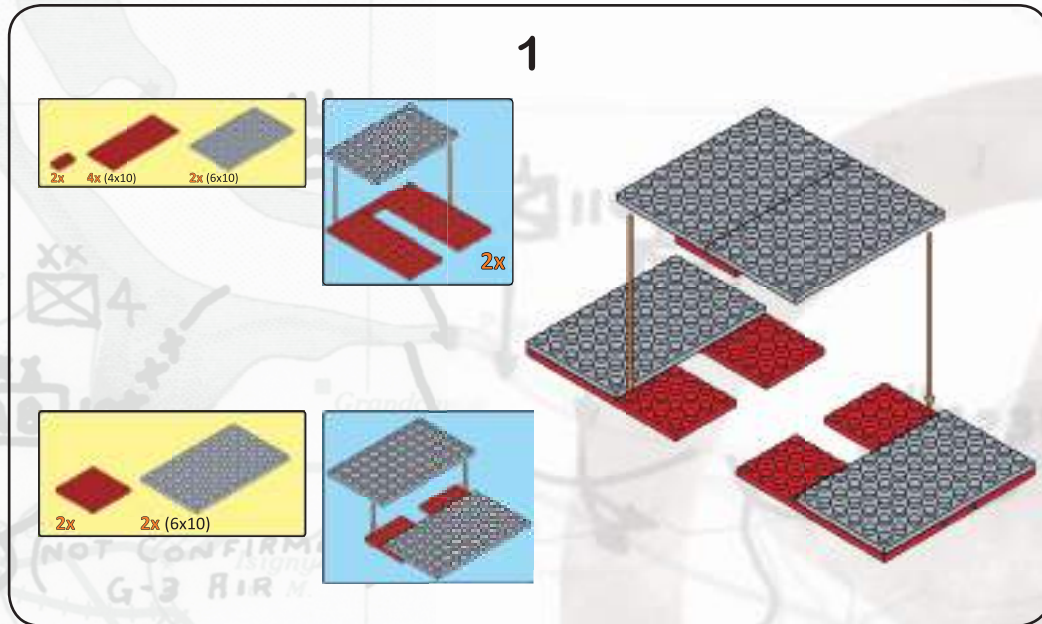


JUNE 06 | 1944 | OPERATION OVERLORD



LANDING CRAFT ASSAULT

TYPE:	LANDING CRAFT
ENGINE:	2 • 65 HP FORD V-8 PETROL
ARMAMENT:	TWO LEWIS LIGHT MACHINE GUNS
MAX. SPEED:	UNLOADED: 10 KNOTS (19 KM/H; 12 MPH) LOADED: 6 KNOTS (11 KM/H; 6.9 MPH)





6

1x (1x8) 2x (2x8)

9

2x 2x 2x (1x10) 2x (1x12)

7

2x (1x8) 2x (4x8)

10

2x 2x (1x8) 2x (1x12)

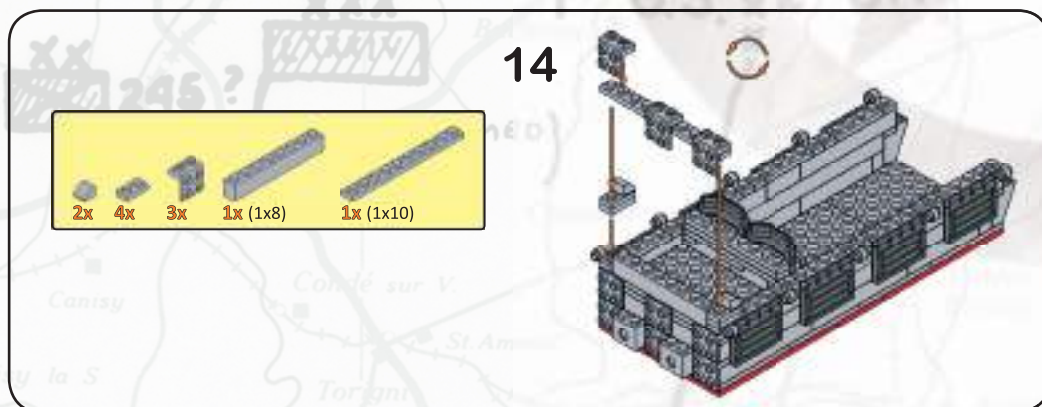
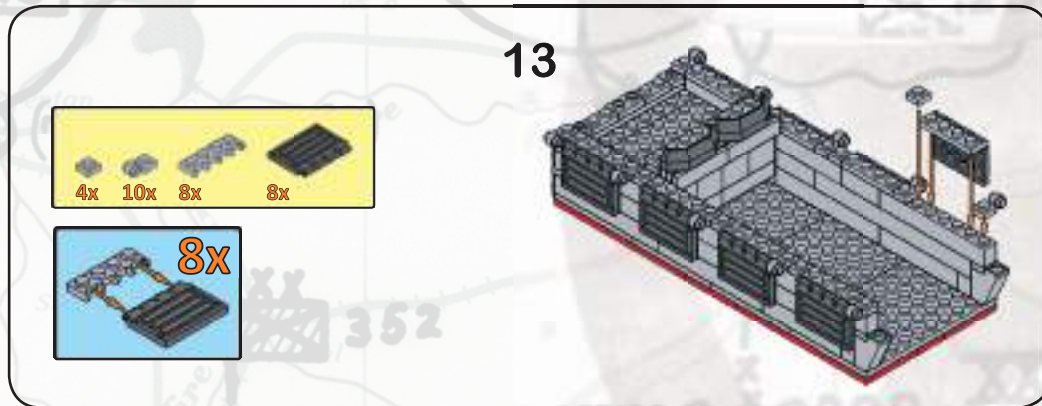
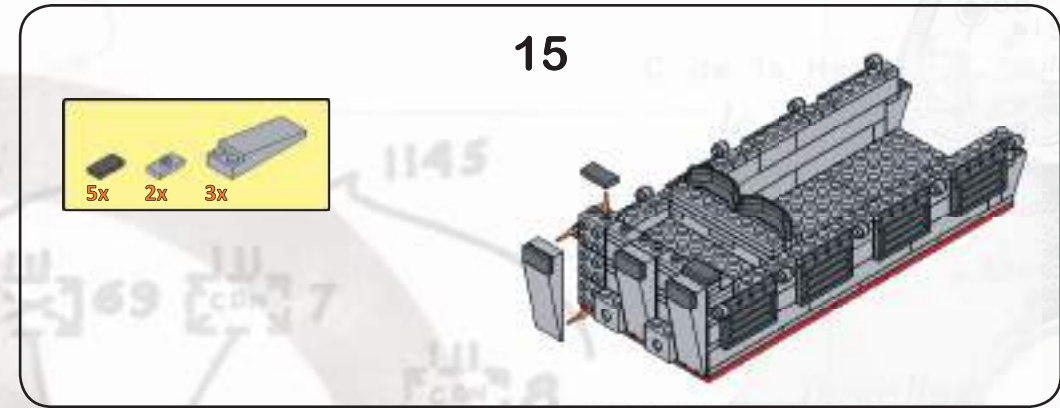
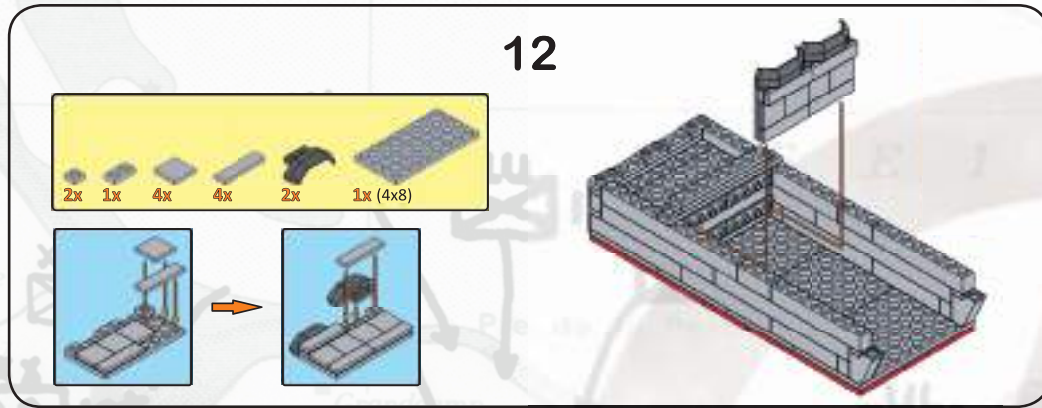
8

4x 2x 4x 1x (1x8)

11

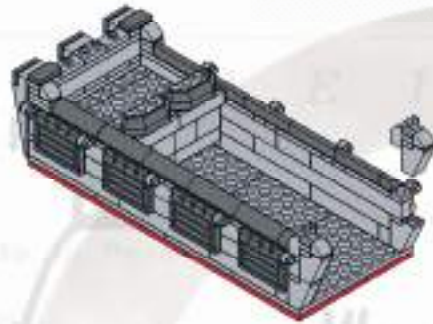
2x (1x8) 1x (1x10)



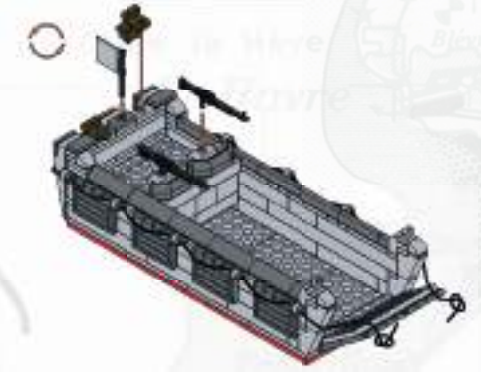




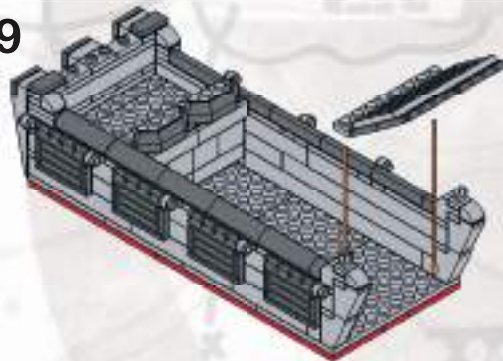
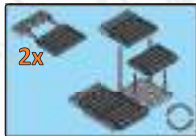
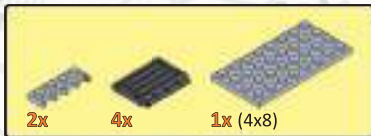
18



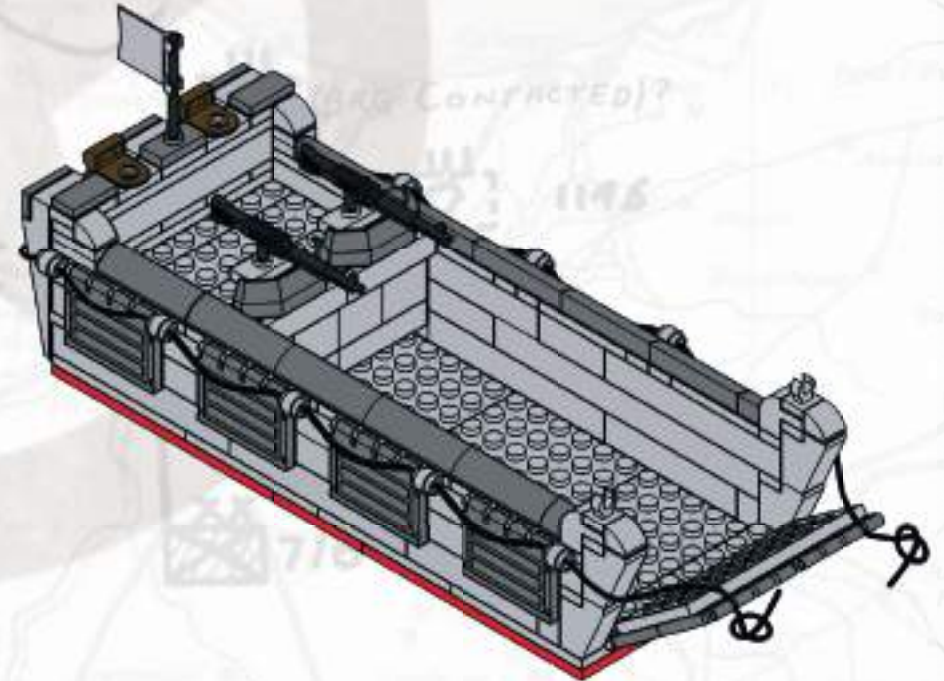
21



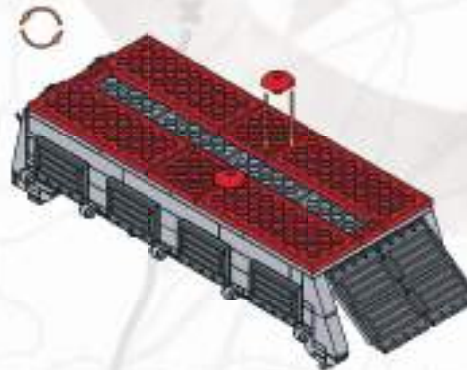
19



22



20



A Y O F T H E

S E I N E

1145

116



www.sluban.eu

1° U.S. 2° BR

2 126 P4
(21 P2)



Colonia